

# NTT2-50

## Characteristics

Nominal Capacity (10 hour rate)		50Ah
Capacity 25°C (77°F)	10 hour rate (5A)	50Ah
	3 hour rate (12.5A)	37.5Ah
	1 hour rate (27.5A)	27.5Ah
Internal Resistance	Full Charged Battery 25°C (77°F)	5 mΩ
Cyclic Life	50%(C <sub>10</sub> ) Depth of discharge	600Times
Float Life	25°C (77°F) Float charge at 13.8V	About 10 Years
Capacity affected by Temperature (10 hour )	40°C (104°F)	102%
	25°C (77°F)	100%
	0°C (32°F)	85%
	-15°C (5°F)	65%
Self-Discharge 25°C (77°F)	Capacity after 3 month storage	90%
	Capacity after 6 month storage	80%
	Capacity after 12 month storage	62%
Charge (Constant Voltage) 25°C (77°F)	Cycle	Initial Charging Current Less than 15A Voltage 2.43-2.50V
	Float	Voltage 2.25-2.30V

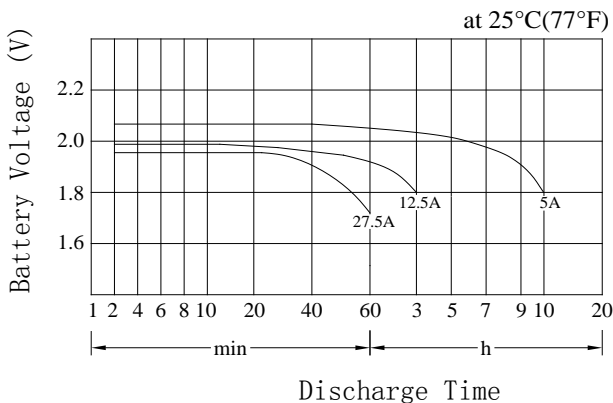
## Product Image



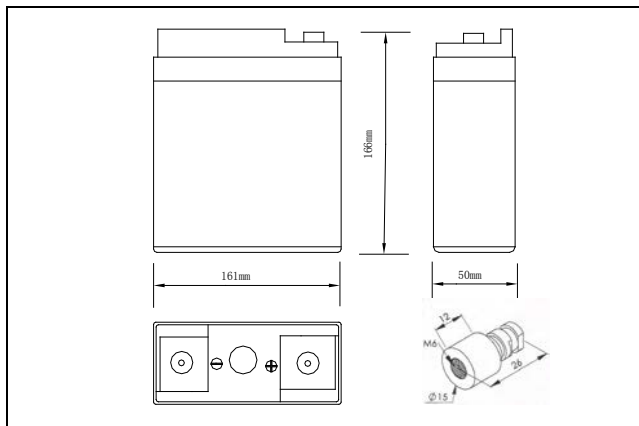
## Packing

Battery (L×W×H)	mm ± 2	161×50×166
	inch	6.34×1.97×6.54
Box (L×W×H)	mm ± 2	
	inch	
Quantity Per Box		4 PCS
Net weight Per Cell		14.0 Kg ± 50g
Net weight Per Box		14.0 Kg
Gross Weight		14.4 Kg

## Discharge Curve



## Product Dimensions



## Battery Construction

Component	Positive plate	Negative plate	Container	Safety valve	Terminal	Separator	Electrolyte
Raw Material	Lead dioxide	Lead	ABS	Rubber	Pb	Fiberglass	Sulfuric acid

## Discharge Characteristics

Voltage	Run Time (Constant Current and Power 25°C 77° F)					
	1h	2h	3h	5h	8h	10h
1.60V	62.5	37.5	27.3	18.1	11.9	10.2
1.70V	60.5	36.5	27.0	17.9	11.2	10.2
1.75V	59.5	35.5	26.5	17.4	11.2	9.7
1.80V	57.5	34.5	25.8	17.2	11.0	9.5