

# NTT2-100

## Characteristics

Nominal Capacity (10 hour rate)		100Ah
Capacity 25°C (77°F)	10 hour rate (10A)	100Ah
	3 hour rate (25A)	75Ah
	1 hour rate (55A)	55Ah
Internal Resistance	Full Charged Battery 25°C (77°F)	2 mΩ
Cyclic Life	50%(C <sub>10</sub> ) Depth of discharge	600Times
Float Life	25°C (77°F) Float charge at 13.8V	About 10 Years
Capacity affected by Temperature (10 hour)	40°C (104°F)	102%
	25°C (77°F)	100%
	0°C (32°F)	85%
	-15°C (5°F)	65%
Self-Discharge 25°C (77°F)	Capacity after 3 month storage	90%
	Capacity after 6 month storage	80%
	Capacity after 12 month storage	62%
Charge (Constant Voltage) 25°C (77°F)	Cycle	Initial Charging Current Less than 30A Voltage 2.43-2.50V
	Float	Voltage 2.25-2.30V

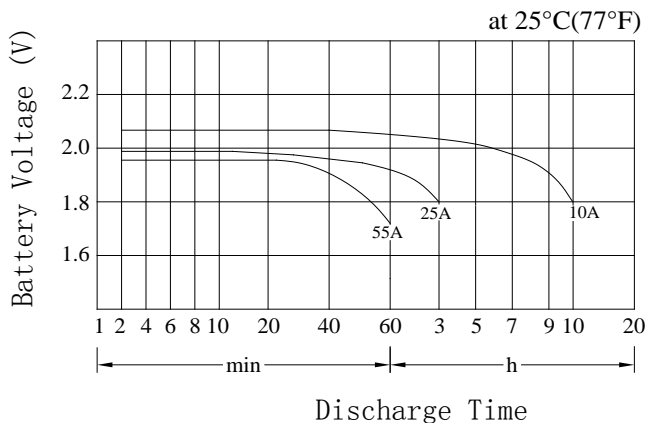
## Product Image



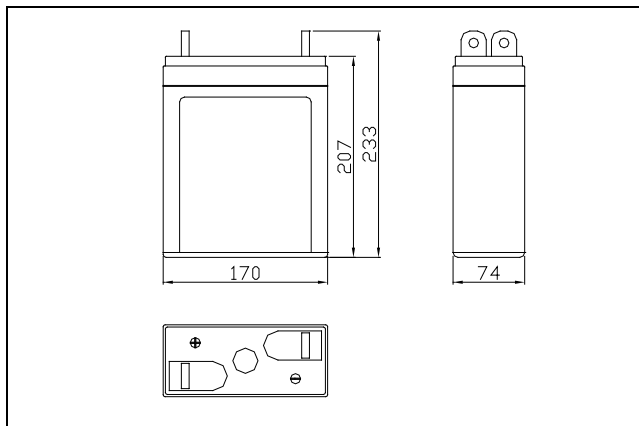
## Packing

Battery (L×W×H)	mm ± 2	170×74×233
	inch	6.7×2.92×9.18
Box (L×W×H)	mm ± 2	185×85×278
	inch	7.28×3.35×10.9
Quantity Per Box		1 PCS
Net weight Per Cell		6.2 Kg ± 100g
Net weight Per Box		6.2 Kg
Gross Weight		6.5 Kg

## Discharge Curve



## Product Dimensions



## Battery Construction

Component	Positive plate	Negative plate	Container	Safety valve	Terminal	Separator	Electrolyte
Raw Material	Lead dioxide	Lead	ABS	Rubber	Pb	Fiberglass	Sulfuric acid

## Discharge Characteristics

Voltage	Run Time (Constant Current and Power 25°C 77° F)					
	1h	2h	3h	5h	8h	10h
1.60V	125	75	54.5	36.2	23.8	20.4
1.70V	121	73	54	35.8	22.4	20.4
1.75V	119	71	53	34.8	22.4	19.4
1.80V	115	69	51.5	34.4	22	19