

# NTT2-150

## Characteristics

Nominal Capacity (10 hour rate)		150Ah
Capacity 25°C (77°F)	10 hour rate (15A)	150Ah
	3 hour rate (38A)	114Ah
	1 hour rate (90A)	90Ah
Internal Resistance	Full Charged Battery 25°C (77°F)	0.7mΩ
Cyclic Life	50%(C <sub>10</sub> ) Depth of discharge	600Times
Float Life	25°C (77°F) Float charge at 13.8V	About 10 Years
Capacity affected by Temperature (10 hour)	40°C (104°F)	102%
	25°C (77°F)	100%
	0°C (32°F)	85%
	-15°C (5°F)	65%
Self-Discharge 25°C (77°F)	Capacity after 3 month storage	90%
	Capacity after 6 month storage	80%
	Capacity after 12 month storage	62%
Charge (Constant Voltage) 25°C (77°F)	Cycle	Initial Charging Current Less than 51A Voltage 2.30-2.32V
	Float	Voltage 2.25-2.30V

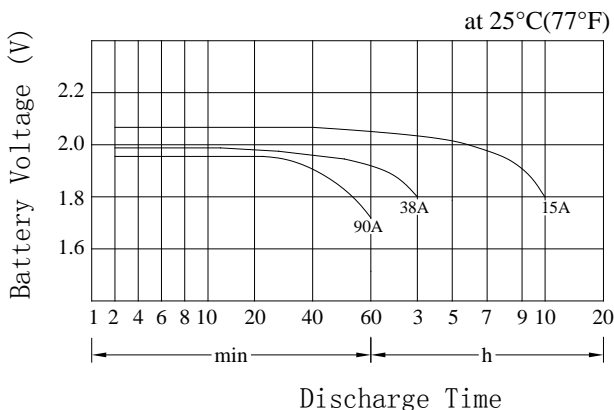
## Product Image



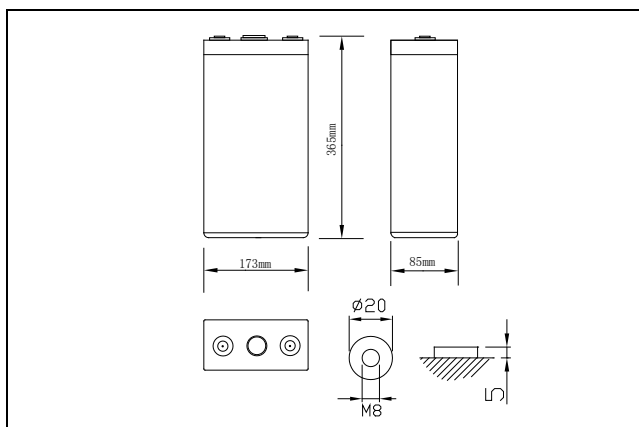
## Packing

Battery (L×W×H)	mm ± 2	173×85×365
	inch	6.81×3.35×14.37
Quantity Per Box		1PCS
Net weight Per Cell		12.0Kg ± 150g
Net weight Per Box		12.0 Kg
Gross Weight		12.3Kg

## Discharge Curve



## Product Dimensions



## Battery Construction

Component	Positive plate	Negative plate	Container	Safety valve	Terminal	Separator	Electrolyte
Raw Material	Lead dioxide	Lead	ABS	Rubber	Pb	Fiberglass	Sulfuric acid