

NTT2-1500

Characteristics

Nominal Voltage		2V
Nominal Capacity (10 hour rate)		1500Ah
Capacity 25°C (77°F)	10 hour rate (150A)	1500Ah
	3 hour rate (375A)	1125Ah
	1 hour rate (825A)	825Ah
Internal Resistance	Full Charged Battery 25°C (77°F)	0.2 mΩ
Cyclic Life	50%(C ₁₀) Depth of discharge	600Times
Float Life	25°C (77°F) Float charge at 13.8V	About 10 Years
Capacity affected by Temperature (10 hour)	40°C (104°F)	102%
	25°C (77°F)	100%
	0°C (32°F)	85%
	-15°C (5°F)	65%
Self-Discharge 25°C (77°F)	Capacity after 3 month storage	90%
	Capacity after 6 month storage	80%
	Capacity after 12 month storage	62%
Charge (Constant Voltage) 25°C (77°F)	Cycle	Initial Charging Current Less than 450A Voltage 2.30-2.35V
	Float	Voltage 2.25-2.30V

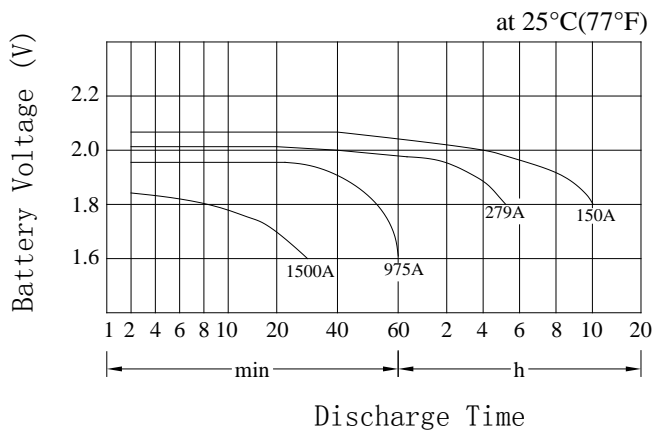
Product Image



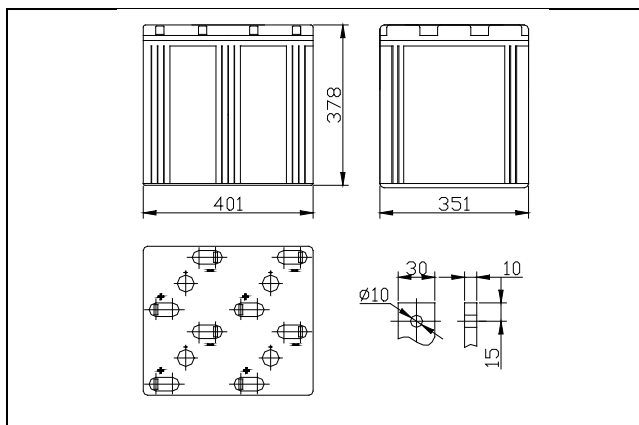
Packing

Battery (L×W×H)	mm ± 2	401×351×378
	inch	19.9×6.89×14.4
Box (L×W×H)	mm ± 2	425×375×478
	inch	16.8×14.8×18.8
Quantity Per Box		1 PCS
Net weight Per Cell		101.2 Kg
Net weight Per Box		101.2 Kg
Gross Weight		103.2 Kg

Discharge Curve



Product Dimensions



Battery Construction

Component	Positive plate	Negative plate	Container	Safety valve	Terminal	Separator	Electrolyte
Raw Material	Lead dioxide	Lead	ABS	Rubber	Pb	Fiberglass	Sulfuric acid

Discharge Characteristics

Voltage	Run Time (Constant Current and Power 25°C 77° F)					
	1h	2h	3h	5h	8h	10h
1.60V	1875	1125	817.5	543	357	306
1.70V	1815	1095	810	537	336	306
1.75V	1785	1065	795	522	336	291
1.80V	1725	1035	772.5	516	330	285