

NT4-5.5

Characteristics

Nominal Voltage		4V
Nominal Capacity (20 hour rate)		5.5Ah
Capacity 25°C (77°F)	20 hour rate (0.275A)	5.5Ah
	10 hour rate (0.495A)	4.95Ah
	5 hour rate (0.935A)	4.4Ah
	1 hour rate (3.58A)	3.58Ah
Internal Resistance	Full Charged Battery 25°C (77°F)	≤22m Ω
Cyclic Life	50%(C ₂₀) Depth of discharge	600Times
Float Life	25°C (77°F) Float charge at 6.9V	About 2Years
Capacity affected by Temperature (20 hour)	40°C (104°F)	102%
	25°C (77°F)	100%
	0°C (32°F)	85%
	-15°C (5°F)	65%
Self-Discharge 25°C (77°F)	Capacity after 3 month storage	90%
	Capacity after 6 month storage	80%
	Capacity after 12 month storage	62%
Charge (Constant Voltage) 25°C (77°F)	Cycle	Initial Charging Current Less than 1.5A Voltage 4.80-5.0V
	Float	Voltage 4.5-4.6V

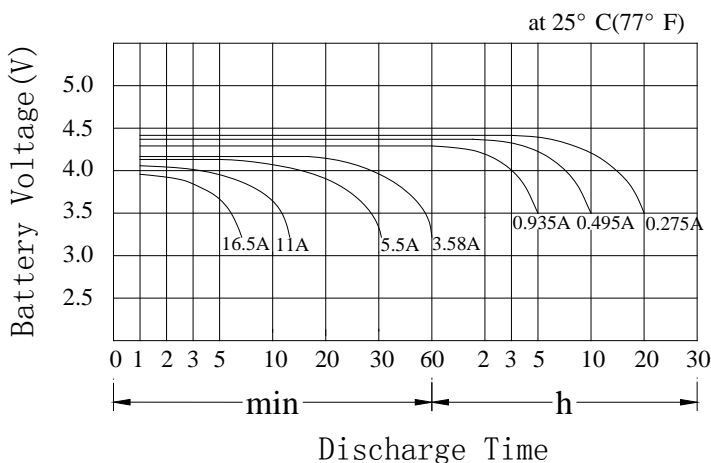
Product Image



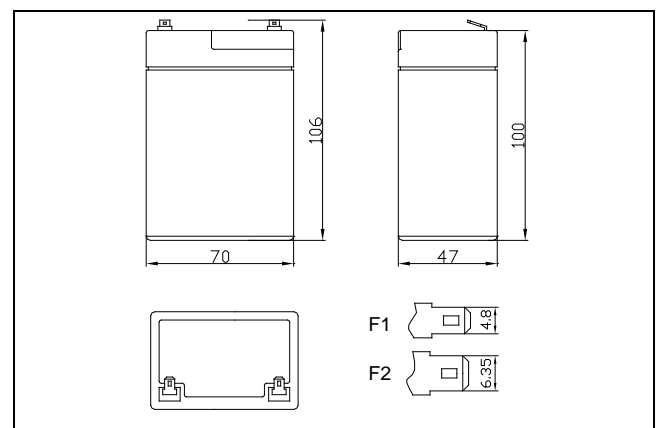
Packing

Battery (L×W×H)	mm ± 1	70 × 47 × 101
	inch	2.76 × 1.85 × 3.98
Box (L×W×H)	mm ± 2	310 × 266 × 126
	inch	12.2 × 10.5 × 5.0
Quantity Per Box		20PCS
Net weight Per Cell		0.58Kg ± 15g
Net weight Per Box		11.6Kg
Gross Weight		11.9Kg

Discharge Curve



Product Dimensions



Battery Construction

Component	Positive plate	Negative plate	Container	Safety valve	Terminal	Separator	Electrolyte
Raw Material	Lead dioxide	Lead	ABS	Rubber	Copper	Fiberglass	Sulfuric acid